

Service manual

Euromat B8-EM 400V 50Hz

Version: 2.01

Ident:

Series:

Part-Number: 101171

This part can be ordered.



Chapter

baking chamber Euromat B8-EM 400V 50Hz - V:
104837 - door Euromat B8-EM 400V 50Hz - V:
electric slide EM IS Euromat B8-EM 400V 50Hz - V:
electric slide EM with control Comfort - V:
electric slide Euromat B8-EM 400V 50Hz - V:
frame Euromat B8-EM 400V 50Hz - V:
installation-room Euromat B8-EM 400V 50Hz - V:
operating panel Euromat B8-EM 400V 50Hz - V:
operating panel Euromat B8-EM 400V 50Hz - V:

PLATON SERVICE
8 (800) 500-34-34
www.platonservice.com

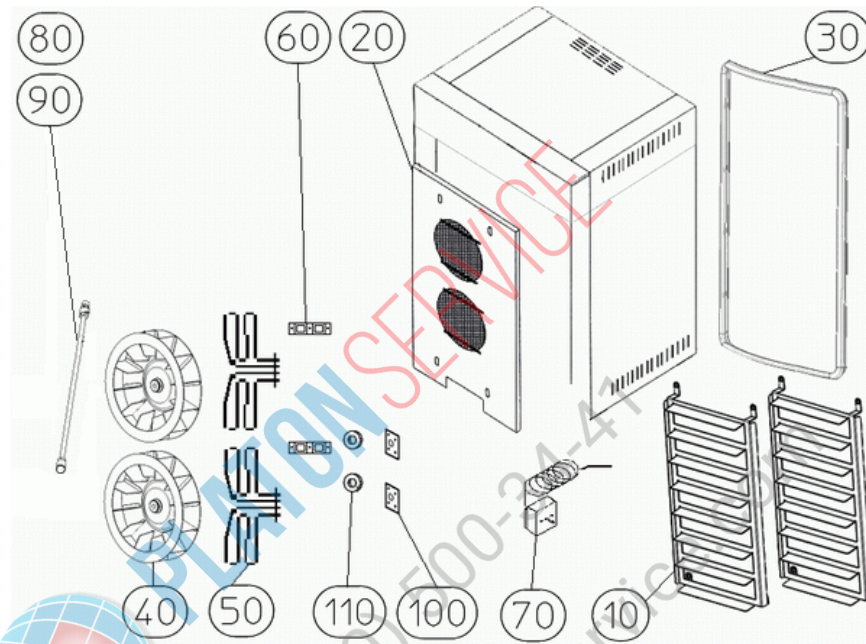
Service manual baking chamber Euromat B8-EM 400V 50Hz

Version:

Ident:

Series:

Part-Number:



Chapter

tray runners Euromat B8-EM 400V 50Hz - V:

- 26291 - blind plug stainless steel
- 38740 - seal for blind plug
- [020] - 29922 - ventilation cover B8-EM
- [030] - 38604 - door seal
- [040] - 33862 - fan wheel
- [050] - 34960 - heater 3000 W
- [060] - 36117 - seal heater
- [070] - 104610 - thermo element typ K
- [070] - 37981 - capillary tube regulator
- [070] - 9030-140-007 - thermocouple 125 M8 2500
- [080] - 02524 - steam pipe connection
- [090] - 27384 - steam pipe connection B8-EM
- [100] - 04800 - sealing plate
- [110] - 105206 - seal motor shaft
- [111] - 34047 - seal motor shaft

Part: blind plug stainless steel

Part-Number: 26291

The blind plug is applied for devices without ProClean.



Part: seal for blind plug

Part-Number: 38740

This seal is used for devices with blind plug, that means without ProClean. The seal has to be changed from the baking chamber.



Part: ventilation cover B8-EM

Part-Number: 29922



Part: door seal

Part-Number: 38604

The door seal is glued with transparent heat resistant silicone (order number 60375) around the radii on the corners and long distances in between. Should the door seal be exchanged then all the silicone must be removed by using a knife. Clean the door tracks and any silicone particles. Make sure when placing the new seal that it is completely in the frame. The seal needs to be pressed around the connecting piece on the top and bottom and in front of the oven with a broach so that it can "breathe". The door seal is a spare part and can be ordered under the number 38604 as cut goods 2,4 m long. Please notice the assembly instructions how to replace the seal.



Part: fan wheel

Part-Number: 33862

The manufacturer tested the fan wheel for imbalance. Keep away any direct heat from the fan wheel for e.g. Blow lamps, otherwise the wheel will not run smoothly. An imbalance of the wheel will damage the motor and yield unsatisfactory baking results. The fan wheel is attached to the motor shaft and a fan wheel removal device must be used when replacing it. At any sign of imbalance the fan wheel must be replaced to prevent further damage.



Part: heater 3000 W

Part-Number: 34960

Warning! The heater must not be removed while hot. TIP: Treat the threaded bolts (heater flansh) of the hot heaters with cooling spray. Loosen the bolts. Replace the heater seal when replacing the heater. Treat the hexagonal screws with thread-free before reinserting. This prevents the screws from heat damage and not loosening again.



Part: seal heater

Part-Number: 36117

When replacing the ring heater the seal must be replaced as well.



Part: thermo element typ K

Part-Number: 104610

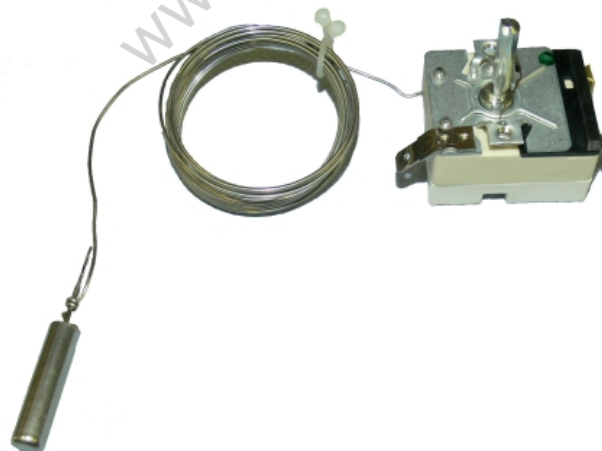
The thermo element type K is used as an oven probe. The oven probe controls the oven temperature. The working range is between 30 - 250°C. Please note the polarity (+/-) when replacing the thermo elements. To prevent false measurements the probe must be inserted as far as it will go. Ensure that the oven probe feeds through the fan cover into the oven. The probe must not be in contact with the fan cover - false measurements or even deactivating the safety chain may be the result of coming in contact. If the probe is too short and does not fit into the oven, a probe extension is necessary. Read the information to this article.



Part: capillary tube regulator

Part-Number: 37981

The thermostat measures the oven temperature. The fluid in the capillary tube measures the temperature. Be sure not to kink the capillary tube when placing it the result will be a false reading or interruption. Insulate the capillary tube on critical spots (e.g. circuit board) with silicone hose article number 40074.



Part: thermocouple 125 M8 2500

Part-Number: 9030-140-007



Part: steam pipe connection

Part-Number: 02524

Depending on the water hardness the steaming supports must be descaled on a regular basis. Recoment to your customer to use a water softening sytem. When installing it is important that the steaming supports be secured in the correct direction showing in the direction of the "Fan wheel centre".



Part: steam pipe connection B8-EM

Part-Number: 27384

The steaming pipe sprays the pre-set amount of water from the operator directly in the middle of the fan wheel. By the turning of the fan wheel the moisture is spread evenly around the baking chamber and enhances shine and volume to the baking product. Steaming is always right after loading the oven. When installing the steaming pipe note the following! 1. Screw the counter nut to the middle of the thread. Otherwise the pipe will be fastened too deeply into the supports. The water flow is minimized or completely blocked. 2. Control the firm placement. Always use tools for installation.



Part: sealing plate

Part-Number: 04800

The sealing plate secures the motor shaft. Pull the motor first when installing and the sealing plate at the end.



Part: seal motor shaft

Part-Number: 105206

replaced by 34047



Part: seal motor shaft

Part-Number: 34047

The motor shaft seal is a clean lead and seal against moisture at the back of the oven which could lead to disturbances. Therefore the following must be observed: Tighten the sealing plate after the motor is fastened, otherwise the motor shaft seal on the motor shaft is not guaranteed. This motor shaft seal must be replaced with each motor installation.



Service manual

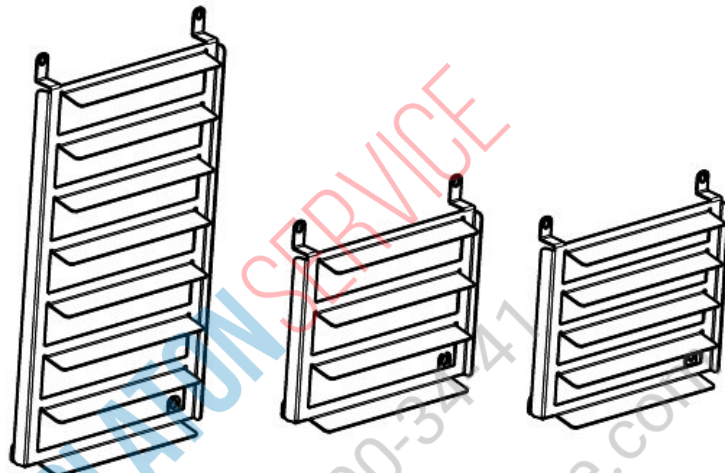
tray runners Euromat B8-EM 400V 50Hz

Version:

Ident:

Series:

Part-Number:



Chapter

100583 - tray runners complete Euromat B8-EM 400V 50Hz - V:
100584 - tray runners complete Euromat B8-EM 400V 50Hz - V:
102294 - tray runners complete USA design Euromat B8-EM 400V 50Hz - V:

100583 - tray runners B8-EM complete
100584 - tray runners B10-EM complete
102294 - tray runners B8-EM complete USA design

Part: tray runners B8-EM complete

Part-Number: 100583

Part: tray runners B10-EM complete

Part-Number: 100584

Part: tray runners B8-EM complete USA design

Part-Number: 102294



PLATON SERVICE

8 (800) 500-34-47

www.platonservice.com

Service manual

tray runners complete Euromat B8-EM 400V 50Hz

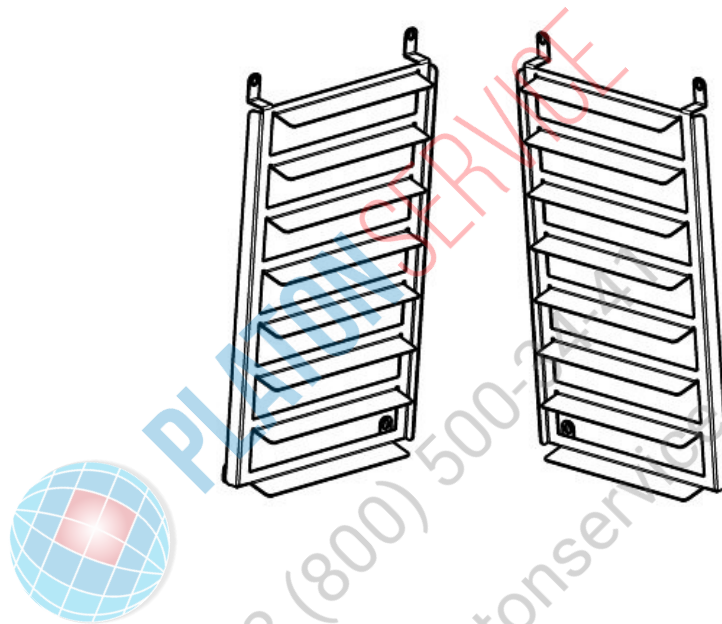
Version:

Ident:

Series:

Part-Number: 100583

This part can be ordered.



Chapter

104490 - tray runners right, 8 trays (steam pipe / ATV)
104491 - tray runners left, 8 trays (steam pipe / ATV)

Part: tray runners right, 8 trays (steam pipe / ATV)

Part-Number: 104490

Part: tray runners left, 8 trays (steam pipe / ATV)

Part-Number: 104491



PLATON SERVICE

8 (800) 500-34-47

www.platonservice.com

Service manual

tray runners complete Euromat B8-EM 400V 50Hz

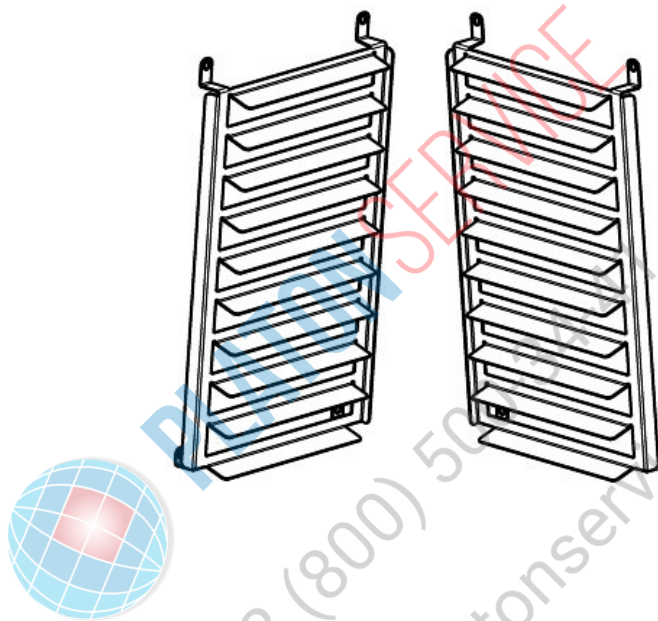
Version:

Ident:

Series:

Part-Number: 100584

This part can be ordered.



Chapter

104494 - tray runners right, 10 trays (steam pipe)

104495 - tray runners left, 10 trays (steam pipe)

Part: tray runners right, 10 trays (steam pipe)

Part-Number: 104494

Part: tray runners left, 10 trays (steam pipe)

Part-Number: 104495



PLATON SERVICE

8 (800) 500-34-47

www.platonservice.com

Service manual

tray runners complete USA design Euromat B8-EM 400V 50Hz

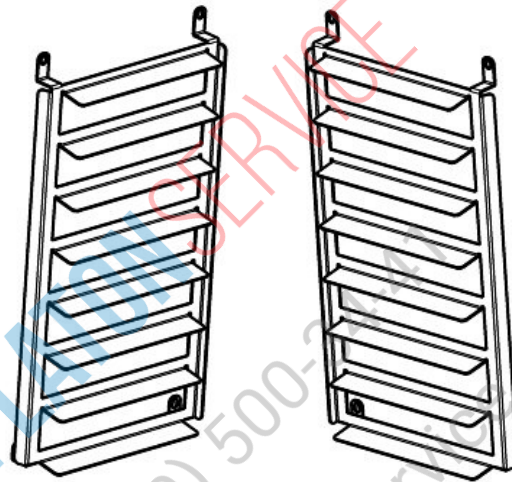
Version:

Ident:

Series:

Part-Number: 102294

This part can be ordered.



Chapter

104498 - tray runners B8-EM right; model USA
104499 - tray runners B8-EM left; model USA

PLATONSERVISE
8 (800) 500-2345
www.platonservis.ru.com

Part: tray runners B8-EM right; model USA

Part-Number: 104498



Part: tray runners B8-EM left; model USA

Part-Number: 104499



PLATON SERVICE
8 (800) 503-7741
www.platonservice.com

Service manual door Euromat B8-EM 400V 50Hz

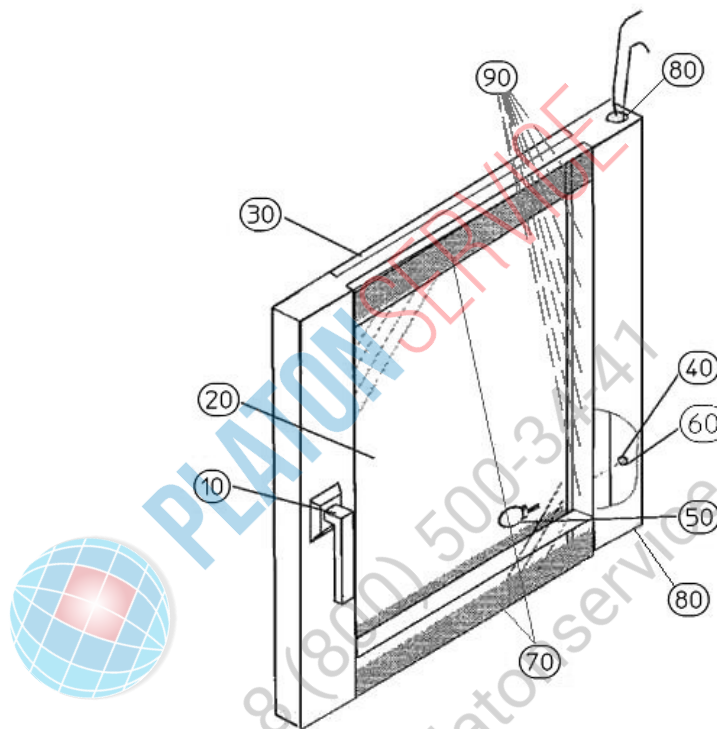
Version:

Ident:

Series:

Part-Number: 104837

This part can be ordered.



Chapter

door handle Euromat B8-EM 400V 50Hz - V:
104837 - sealing pane Euromat B8-EM 400V 50Hz - V:
viewing glass Euromat B8-EM 400V 50Hz - V:

- [040] - 38642 - halogen sockets
- [050] - 101731 - halogen lamp 12V 10W
- [060] - 34312 - porcelain clamp
- [070] - 38155 - rubber-metal buffers
- [080] - 36050 - DU bushing
- [090] - 42716 - screw M4x6 pressure-sensitive

Part: halogen sockets

Part-Number: 38642



Part: halogen lamp 12V 10W

Part-Number: 101731

When changing the halogen lamps please make sure that the lamps do not come in contact with hand sweat. Hand sweat will burn into the glass bulb and reduces the life of the halogen lamp. Please use the appropriate gloves.



Part: porcelain clamp

Part-Number: 34312

The porcelain clamp can not be chipped or damaged. Ensure the halogen lamps are secure.



Part: rubber-metal buffers

Part-Number: 38155

Is fixed between door glass outside and sealing pane.

Part: DU bushing

Part-Number: 36050



Part: screw M4x6 pressure-sensitive

Part-Number: 42716

EUROMAT B 4 = 5 screws EUROMAT B 8 = 8 screws



PLATON SERVICE
8 (800) 500-34-47
www.platonservice.com

Servicemanual

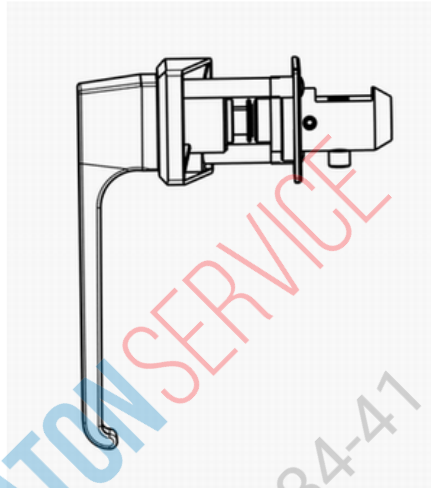
door handle Euromat B8-EM 400V 50Hz

Version:

Ident:

Series:

Part-Number:



Chapter

2500-402-043 - door handle left complete Euromat B8-EM 400V 50Hz - V:
2500-402-042 - door handle right complete Euromat B8-EM 400V 50Hz - V:



PLATON SERVICE
8 (800) 300-34-47
www.platonservice.com

Service manual

door handle left complete Euromat B8-EM 400V 50Hz

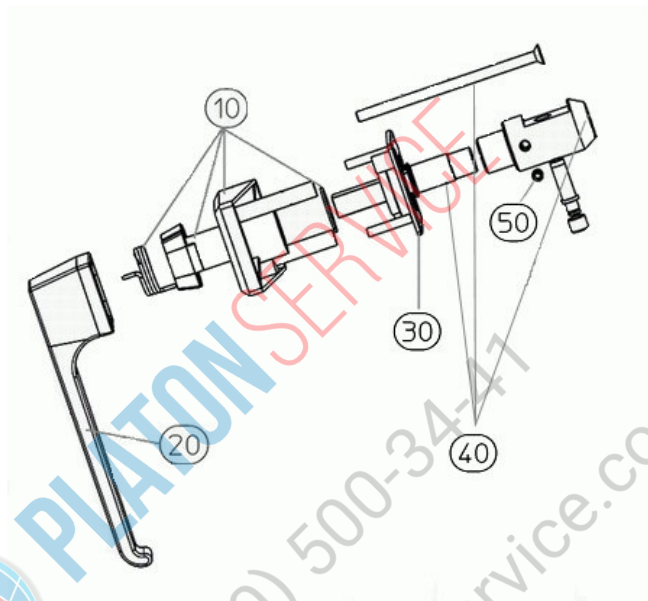
Version:

Ident:

Series:

Part-Number: 2500-402-043

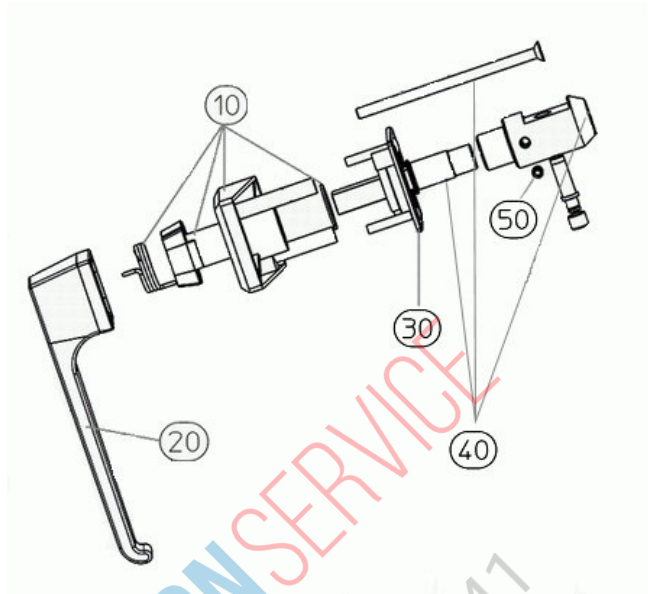
This part can be ordered.



Chapter

31294 - [010] handle element TS left complete assembled Euromat B8-EM 400V 50Hz - V:
2500-402-047 - [040] service-kit axis/sash fastener Euromat B8-EM 400V 50Hz - V:

2500-402-043 - door handle EM left complete
[030] - 38152 - counterpiece
[050] - 42725 - threaded pin M8x8 DIN 913

Part: door handle EM left complete**Part-Number: 2500-402-043****Part: counterpiece****Part-Number: 38152****Part: threaded pin M8x8 DIN 913****Part-Number: 42725**

Service manual

[010] handle element TS left complete assembled Euromat B8-EM 400V 50Hz

Version:

Ident:

Series:

Part-Number: 31294

This part can be ordered.



Chapter

31294 - handle element left assembled

[010] - 36715 - connector piece

[020] - 42371 - door handle spring, left-hinged

[030] - 42377 - inside for door handle

[040] - 42692 - retainer ring

Part: handle element left assembled

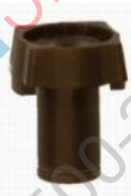
Part-Number: 31294



Part: connector piece

Part-Number: 36715

The connecting piece serves to set the necessary pull emergency of the handle. The plastic of the connecting piece must not be damaged. e.g. creasing from door spring. Damage can cause early locking of the door spring. When setting ensure that the handle remains in a horizontal position on its own otherwise the setting is too loose. Just as in closing the door handle must remain in a vertical position otherwise the setting is too stiff.



Part: door handle spring, left-hinged

Part-Number: 42371

Note when installing if a right or left door spring should be used. The door spring can not be damaged. Adjust the spring when first installing to the works position. Incorrect positioning causes spring hardening.



Part: inside for door handle

Part-Number: 42377



Part: retainer ring

Part-Number: 42692

To install/remove the retaining ring use a retaining ring gripper.



Service manual

[040] service-kit axis/sash fastener Euromat B8-EM 400V 50Hz

Version:

Ident:

Series:

Part-Number: 2500-402-047

This part can be ordered.



Chapter

2500-402-047 - service-kit axis/sash fastener

[010] - 2500-402-044 - sash fastener

[020] - 2500-402-032 - axis EM

[030] - 42720 - screw-sash fastener M6x110

Part: service-kit axis/sash fastener

Part-Number: 2500-402-047



Part: sash fastener

Part-Number: 2500-402-044

The sash fastener setting screw regulates the door contact (door end switch). First the grub screw must be loosened on the side of the cone. Then adjust the setting screw. Once adjusted put 1-2 drops of screw lock on the grub screw to avoid shifting. The sash fastener can not be too tight or too loose. TIP: Use a piece of paper, slide it between the door and the door seal. The paper should easily come out of the closed door when pulled.



Part: axis EM**Part-Number: 2500-402-032**

The axel fastens the sash fastener. Note when installing the axel that the flat side shows direction sash fastener to the threaded grub screw.

**Part: screw-sash fastener M6x110****Part-Number: 42720****PLATON SERVICE**

8 (800) 500-34-41

www.platonservice.com

Service manual

door handle right complete Euromat B8-EM 400V 50Hz

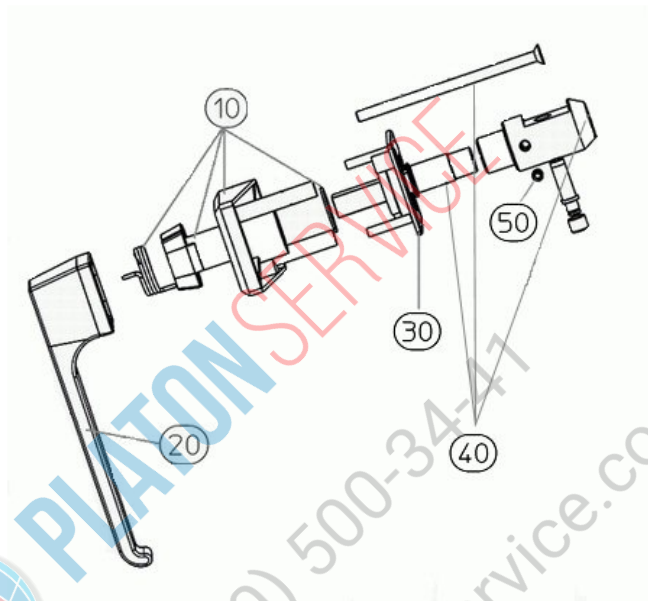
Version:

Ident:

Series:

Part-Number: 2500-402-042

This part can be ordered.



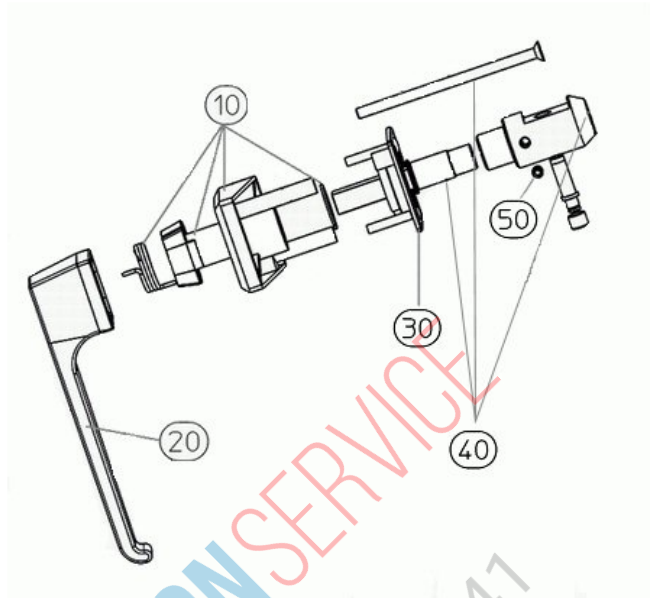
Chapter

31204 - [010] handle element TS right complete assembled Euromat B8-EM 400V 50Hz - V:
2500-402-047 - [040] service-kit axis/sash fastener Euromat B8-EM 400V 50Hz - V:

2500-402-042 - door handle EM right complete
[020] - 103685 - handle
[030] - 38152 - counterpiece
[050] - 42725 - threaded pin M8x8 DIN 913

Part: door handle EM right complete

Part-Number: 2500-402-042



Part: handle

Part-Number: 103685



Part: counterpiece

Part-Number: 38152



Part: threaded pin M8x8 DIN 913

Part-Number: 42725



PLATON SERVICE

8 (800) 500-34-47

www.platonservice.com

Service manual

[010] handle element TS right complete assembled Euromat B8-EM 400V 50Hz

Version:

Ident:

Series:

Part-Number: 31204

This part can be ordered.



Chapter

31204 - handle element right assembled

[010] - 36715 - connector piece

[020] - 42373 - door handle spring, right-hinged

[030] - 42377 - inside for door handle

[040] - 42692 - retainer ring

Part: handle element right assembled

Part-Number: 31204



Part: connector piece

Part-Number: 36715

The connecting piece serves to set the necessary pull emergency of the handle. The plastic of the connecting piece must not be damaged. e.g. creasing from door spring. Damage can cause early locking of the door spring. When setting ensure that the handle remains in a horizontal position on its own otherwise the setting is too loose. Just as in closing the door handle must remain in a vertical position otherwise the setting is too stiff.



Part: door handle spring, right-hinged

Part-Number: 42373

Note when installing if a right or left door spring should be used. The door spring can not be damaged. Adjust the spring when first installing to the works position. Incorrect positioning causes spring hardening.



Part: inside for door handle

Part-Number: 42377



Part: retainer ring

Part-Number: 42692

To install/remove the retaining ring use a retaining ring gripper.



PLATON SERVICE

8 (800) 500-34-47

www.platonservice.com

Service manual

[040] service-kit axis/sash fastener Euromat B8-EM 400V 50Hz

Version:

Ident:

Series:

Part-Number: 2500-402-047

This part can be ordered.



Chapter

2500-402-047 - service-kit axis/sash fastener

[010] - 2500-402-044 - sash fastener

[020] - 2500-402-032 - axis EM

[030] - 42720 - screw-sash fastener M6x110

Part: service-kit axis/sash fastener

Part-Number: 2500-402-047



Part: sash fastener

Part-Number: 2500-402-044

The sash fastener setting screw regulates the door contact (door end switch). First the grub screw must be loosened on the side of the cone. Then adjust the setting screw. Once adjusted put 1-2 drops of screw lark on the grub screw to avoid shifting. The sash fastener can not be too tight or too loose. TIP: Use a piece of paper, slide it between the door and the door seal. The paper should easily come out of the closed door when pulled.



Part: axis EM**Part-Number: 2500-402-032**

The axel fastens the sash fastener. Note when installing the axel that the flat side shows direction sash fastener to the threaded grub screw.

**Part: screw-sash fastener M6x110****Part-Number: 42720****PLATON SERVICE**

8 (800) 500-34-41

www.platonservice.com

Servicemanual sealing pane Euromat B8-EM 400V 50Hz

Version:

Ident:

Series:

Part-Number: 104837

This part can be ordered.

Chapter

104837 - sealing pane B8 EM



PLATON SERVICE

8 (800) 500-34-47

www.platonservice.com

Part: sealing pane B8 EM

Part-Number: 104837



PLATON SERVICE

8 (800) 500-34-47

www.platonservice.com

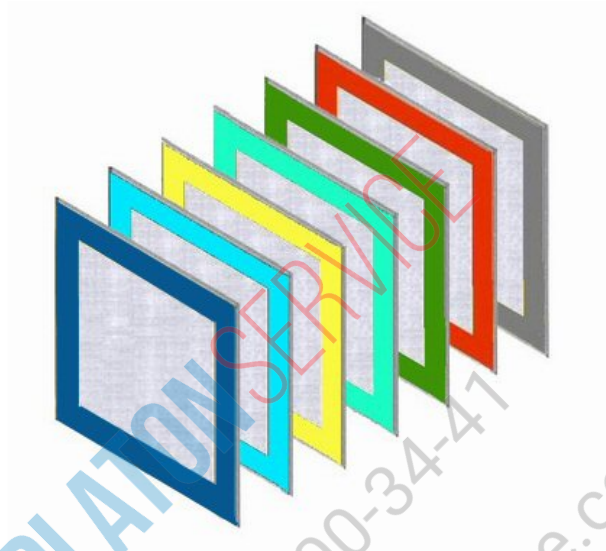
Service manual viewing glass Euromat B8-EM 400V 50Hz

Version:

Ident:

Series:

Part-Number:



Chapter

25028 - ball catch MS

[010] - 104312 - door glass outside EUROMAT grey

[020] - 31036 - door glass outside EUROMAT red

[030] - 31033 - door glass outside EUROMAT green

[040] - 31032 - door glass outside EUROMAT turquoise green

[050] - 31034 - door glass outside EUROMAT yellow

[060] - 31037 - door glass outside EUROMAT turquoise blue

[070] - 31055 - door glass outside EUROMA saffron

[080] - 31031 - door glass outside EUROMA dark blue

Part: ball catch MS

Part-Number: 25028

The ball catch is a holder between the sealing and viewing pane. The ball catch can not be justified and on one side the sealing pane is glued with heat resistant Pactan. The tension level can be adjusted with a screwdriver.



Part: door glass outside EUROMAT grey

Part-Number: 104312

special color, not a RAL color

Part: door glass outside EUROMAT red

Part-Number: 31036

RAL 3002

Part: door glass outside EUROMAT green

Part-Number: 31033

RAL 6024

Part: door glass outside EUROMAT turquoise green

Part-Number: 31032

RAL 6016

Part: door glass outside EUROMAT yellow

Part-Number: 31034

RAL 1021

Part: door glass outside EUROMAT turquoise blue

Part-Number: 31037

RAL 5018

Part: door glass outside EUROMA saffron

Part-Number: 31055

RAL 1017

Part: door glass outside EUROMA dark blue

Part-Number: 31031



PLATON SERVICE
8 (800) 500-34-41
www.platonservice.com

Service manual

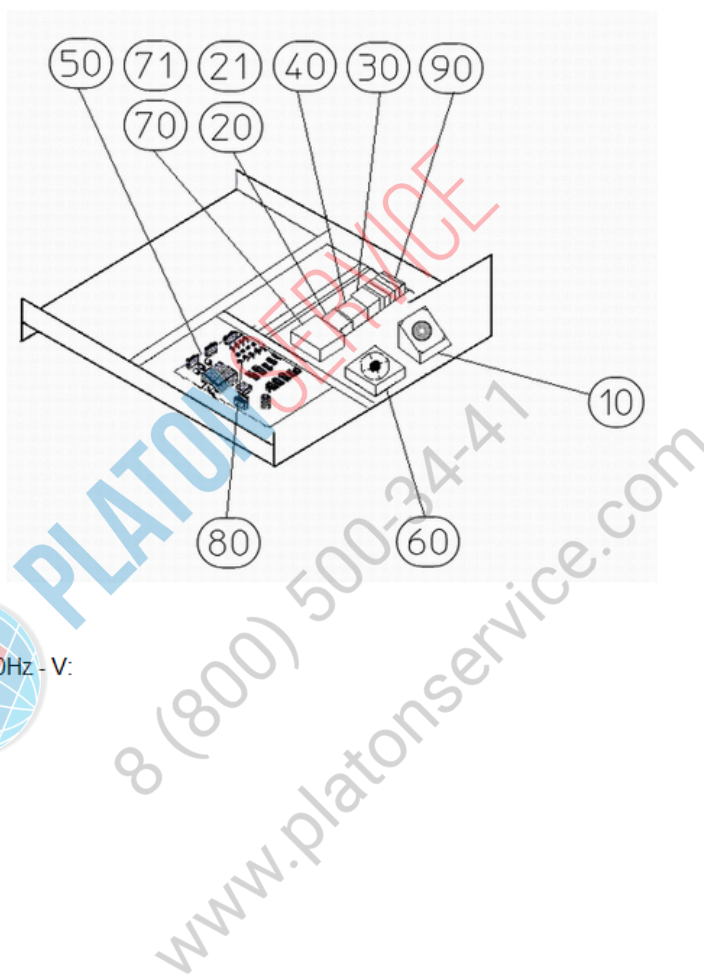
electric slide EM IS Euromat B8-EM 400V 50Hz

Version:

Ident:

Series:

Part-Number:



Chapter

clamp with fuse Euromat B8-EM 400V 50Hz - V:

- [010] - 38400 - loudspeaker
- [020] - 33126 - relay main switch
- [030] - 33884 - relay main switch
- [040] - 33859 - reversing contactor
- [050] - 101106 - power board
- [060] - 33906 - axial blower 15W
- [070] - 100840 - transformer
- [080] - 34666 - rectifier

Part: loudspeaker

Part-Number: 38400

The loud speaker signal serves as an acoustic signal. For example notification is given for "temperature reached". "end of program". As well as when opening the door a short gong will sound. If the gong does not work, first of all check the appliance settings. You can reach the menu point "Gong" by going to "Settings - Appliance Settings - Gong". Here you can set the volume and intervals of the sound. If the volume and interval is set to 0 no acoustic signal will be given. Test the gong, by going to the PC-Tool - Function Test. Warning! The PC-Tool- Function test is an endurance test and is not protected from overload!



Part: relay main switch

Part-Number: 33126

If the safety temperature limit (STB) activates, the main safety switch will not switch on. Neither will it switch on when the internal fuses of the power element or the external fuses are defective. The oven will not operate. As soon as the STB is deactivated or the power supply continued, the main safety switch turns on and the power will be forwarded.



Part: relay main switch

Part-Number: 33884

The contactor switches the heater on/off.



Part: reversing contactor

Part-Number: 33859

The turning contactor is used for changing the rotation of the motor. This effectuates a constant distribution of the air.



Part: power board

Part-Number: 101106

Disconnect power before beginning work. This article is fully prepared for servicing purposes. Please read the appropriate "Article Documents". When replacing the electronic circuit board, electrostatic can damage the circuit board and its components. Ensure before handling the electrical circuit board that a grounded metal frame discharges the electrostatic. The electrical circuit board is available as a service circuit board in a complete version under the Order Number 101106 and can also be used in other appliance models. On the circuit board you will find 3 fuses: F2 output L1 (4A tr); F3 output N (4A tr); F4 output transformer 24, 12, 5 V (1,5A tr). The circuit board has Eprom with each current software update and an 8 pole Dip- switch (configurations switch). Attention must be given to which switch the Dip- switch is actively switched. The various switch settings can be found in the assembly instruction.



Part: axial blower 15W

Part-Number: 33906

The axial blower regulates the temperature in the installation room. Warm air is blown outside and cool air blown inside the room. Please note the arrow direction of the air flow when installing the axial flow fan.



Part: transformer

Part-Number: 100840

The lighting transformer provides power to the baking chamber. The interior lighting is (2x12V/20W) Please note the wiring when removing/inserting. The wire should not come in contact with the circuit board. This may cause sporadic interference with the electronics.



Part: rectifier

Part-Number: 34666



PLATON SERVICE

8 (800) 500-34-47

www.platonservice.com

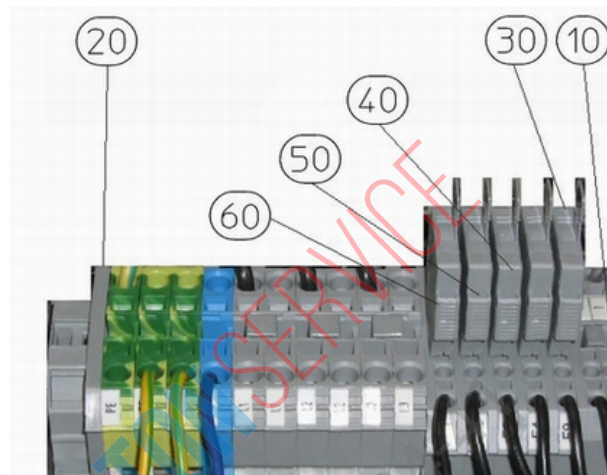
Service manual clamp with fuse Euromat B8-EM 400V 50Hz

Version:

Ident:

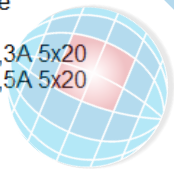
Series:

Part-Number:



Chapter

- [010] - 34101 - base clamp
- [020] - 34102 - finishing plate
- [030] - 34103 - safety plug
- [040] - 35152 - micro-fuse 6,3A 5x20
- [050] - 34753 - micro-fuse 0,5A 5x20



PLATON SERVICE
8 (800) 500-32
www.platonservice.com

Part: base clamp

Part-Number: 34101

**Part: finishing plate**

Part-Number: 34102

**Part: safety plug**

Part-Number: 34103

**Part: micro-fuse 6,3A 5x20**

Part-Number: 35152

The micro fuse serves 8/1 on the triac plate as security for X. (Phase for cascade)

**Part: micro-fuse 0,5A 5x20**

Part-Number: 34753



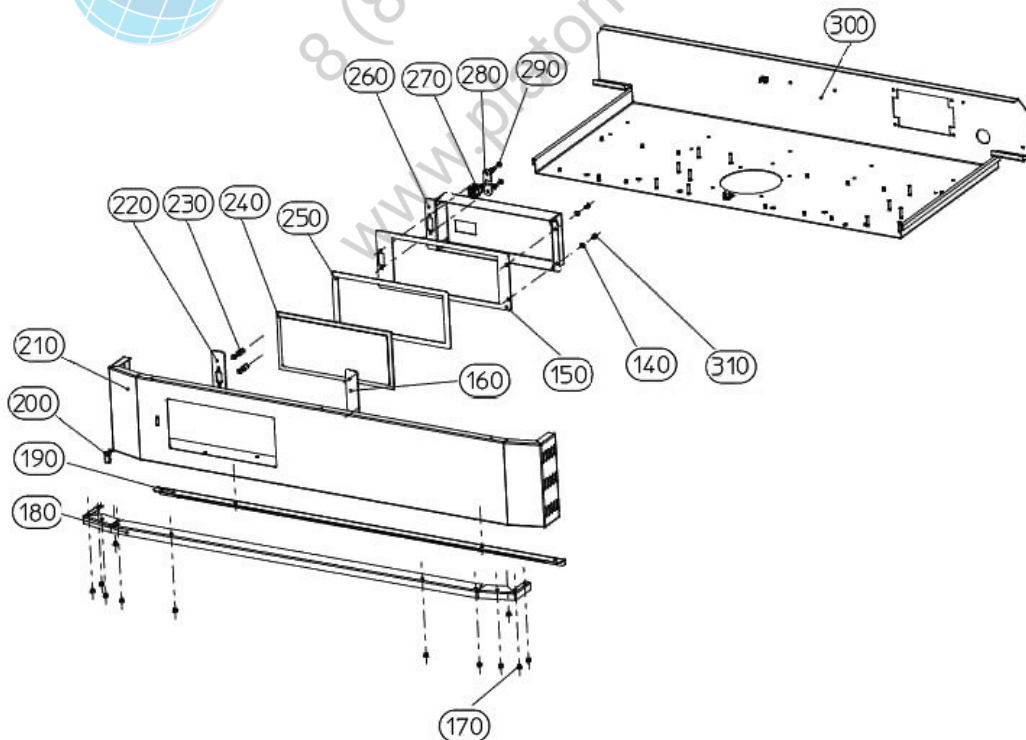
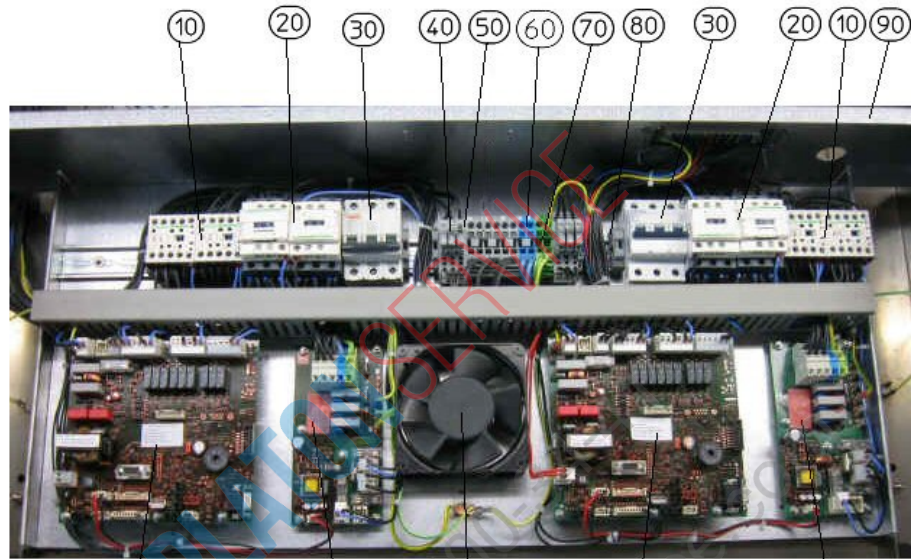
Service manual electric slide EM with control Comfort

Version:

Ident:

Series:

Part-Number:



Chapter

110835 - blind rivets 4x6

33458 - cable connection PG21
34101 - base clamp
34111 - bond bridge 2,5qmm 280-402
35152 - micro-fuse 6,3A 5x20
42008 - nut
9030-140-007 - thermocouple 125 M8 2500
9030-430-037 - data cable control Comfort-Classic
9030-430-129 - cable set EM-Comfort control
[010] - 33884 - relay main switch
[020] - 33126 - relay main switch
[040] - 34103 - safety plug
[050] - 34102 - finishing plate
[060] - 34105 - clamp
[070] - 34124 - clamp
[080] - 34113 - end clamp
[100] - 9030-330-003 - terminal board active
[110] - 9030-330-001 - motherboard universal
[120] - 33906 - axial blower 15W
[130] - 34104 - clamp
[140] - 42209 - washer
[150] - X1200-355-118 - sealing frame
[200] - X2200-353-053 - cover USB interface
[230] - 111231 - spacer
[240] - 9030-320-007 - Comfort Minimat
[250] - X1200-355-029 - seal
[260] - X1200-355-116 - cover control
[270] - 9030-430-113 - USB-extension cord
[280] - X1200-355-117 - fastener USB
[290] - 100285 - hexagon screw
[300] - 2500-350-007 - slide bottom
[310] - 42483 - screw



PLATON SERVICE

8 (800) 500-34-41

www.platonservice.com

Part: blind rivets 4x6**Part-Number: 110835****Part: cable connection PG21****Part-Number: 33458****Part: base clamp****Part-Number: 34101****Part: bond bridge 2,5qmm 280-402****Part-Number: 34111****Part: micro-fuse 6,3A 5x20****Part-Number: 35152**

The micro fuse serves 8/1 on the triac plate as security for X. (Phase for cascade)



Part: nut

Part-Number: 42008

**Part: thermocouple 125 M8 2500**

Part-Number: 9030-140-007

**Part: data cable control Comfort-Classiic**

Part-Number: 9030-430-037

**Part: cable set EM-Comfort control**

Part-Number: 9030-430-129

Part: relay main switch

Part-Number: 33884

The contactor switches the heater on/off.



Part: relay main switch

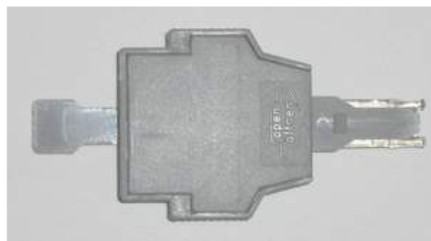
Part-Number: 33126

If the safety temperature limit (STB) activates, the main safety switch will not switch on. Neither will it switch on when the internal fuses of the power element or the external fuses are defective. The oven will not operate. As soon as the STB is deactivated or the power supply continued, the main safety switch turns on and the power will be forwarded.



Part: safety plug

Part-Number: 34103



Part: finishing plate**Part-Number: 34102****Part: clamp****Part-Number: 34105****Part: clamp****Part-Number: 34124****Part: end clamp****Part-Number: 34113**

PLATON SERVICE
8 (800) 500-34-47
www.platon-service.com

**Part: terminal board active****Part-Number: 9030-330-003**

Part: motherboard universal

Part-Number: 9030-330-001



Part: axial blower 15W

Part-Number: 33906

The axial blower regulates the temperature in the installation room. Warm air is blown outside and cool air blown inside the room. Please note the arrow direction of the air flow when installing the axial flow fan.



Part: clamp



Part-Number: 34104

Part: washer

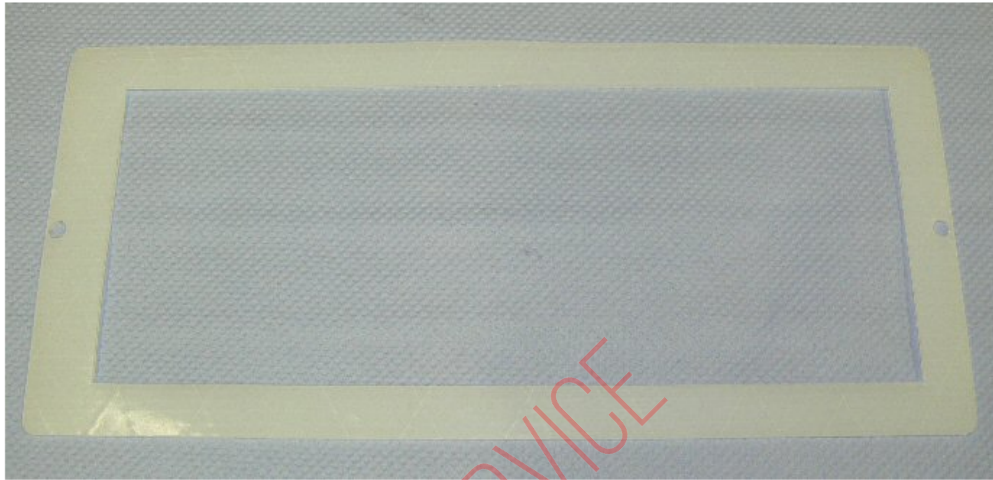
Part-Number: 42209



Part: sealing frame

Part-Number: X1200-355-118

Part: cover USB interface**Part-Number: X2200-353-053****Part: spacer****Part-Number: 111231****Part: Comfort Minimat****Part-Number: 9030-320-007**

Part: seal**Part-Number: X1200-355-029****Part: cover control****Part-Number: X1200-355-116****Part: USB-extension cord****Part-Number: 9030-430-113****Part: fastener USB****Part-Number: X1200-355-117**

Part: hexagon screw

Part-Number: 100285



Part: slide bottom

Part-Number: 2500-350-007

Part: screw

Part-Number: 42483



PLATON SERVICE
8 (800) 500-34-47
www.platonservice.com

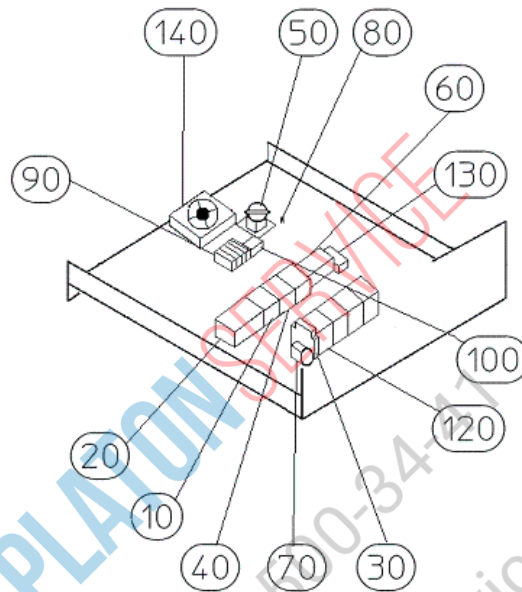
Service manual electric slide Euromat B8-EM 400V 50Hz

Version:

Ident:

Series:

Part-Number:



Chapter

clamp with fuse Euromat B8-EM 400V 50Hz - V:

- [010] - 33126 - relay main switch
- [020] - 33859 - reversing contactor
- [030] - 33733 - time delay relay
- [040] - 33884 - relay main switch
- [050] - 36304 - cam switch
- [060] - 100840 - transformer
- [070] - 33602 - buzzer
- [080] - 34666 - rectifier
- [100] - 33372 - suppressor element
- [130] - 33610 - socket 8-pole
- [140] - 33906 - axial blower 15W

Part: relay main switch

Part-Number: 33126

If the safety temperature limit (STB) activates, the main safety switch will not switch on. Neither will it switch on when the internal fuses of the power element or the external fuses are defective. The oven will not operate. As soon as the STB is deactivated or the power supply continued, the main safety switch turns on and the power will be forwarded.



Part: reversing contactor

Part-Number: 33859

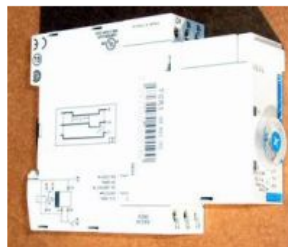
The turning contactor is used for changing the rotation of the motor. This effectuates a constant distribution of the air.



Part: time delay relay

Part-Number: 33733

The time realy controls the motor idle time after steaming.



Part: relay main switch

Part-Number: 33884

The contactor switches the heater on/off.



Part: cam switch

Part-Number: 36304

The cam switch is a timed controlled direction changer of the fanwheel and controls the turning contactor.



Part: transformer

Part-Number: 100840

The lighting transformer provides power to the baking chamber. The interior lighting is (2x12V/20W) Please note the wiring when removing/inserting. The wire should not come in contact with the circuit board. This may cause sporadic interference with the electronics.



Part: buzzer

Part-Number: 33602

The buzzer is controlled by 230V. It gives an acoustic signal for example at the end of the baking time.



Part: rectifier

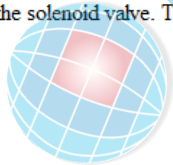
Part-Number: 34666



Part: suppressor element

Part-Number: 33372

The suppressor element covers the solenoid valve. The prevents EMV disturbances to other components in the net.



Part: socket 8-pole

Part-Number: 33610

Attention this socket is used in connection with the auxiliary relay 33581 with special voltage 200V.



Part: axial blower 15W

Part-Number: 33906

The axial blower regulates the temperature in the installation room. Warm air is blown outside and cool air blown inside the room. Please note the arrow direction of the air flow when installing the axial flow fan.



PLATON SERVICE
8 (800) 500-34-47
www.platonservice.com

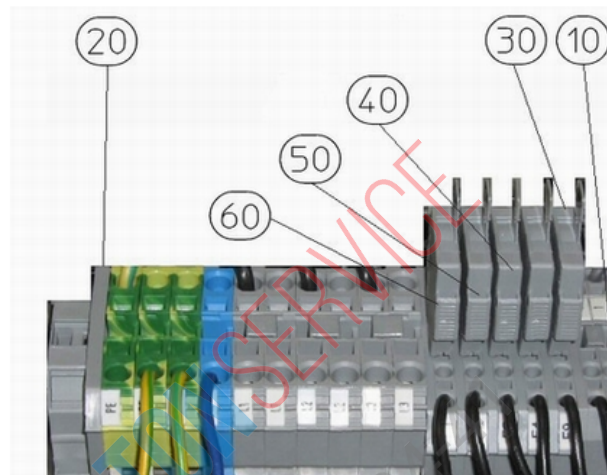
Service manual clamp with fuse Euromat B8-EM 400V 50Hz

Version:

Ident:

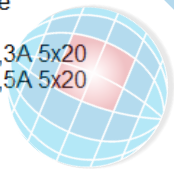
Series:

Part-Number:



Chapter

- [010] - 34101 - base clamp
- [020] - 34102 - finishing plate
- [030] - 34103 - safety plug
- [040] - 35152 - micro-fuse 6,3A 5x20
- [050] - 34753 - micro-fuse 0,5A 5x20



PLATON SERVICE
8 (800) 500-32
www.platonservice.com

Part: base clamp**Part-Number: 34101****Part: finishing plate****Part-Number: 34102****Part: safety plug****Part-Number: 34103****Part: micro-fuse 6,3A 5x20****Part-Number: 35152**

The micro fuse serves 8/1 on the triac plate as security for X. (Phase for cascade)

**Part: micro-fuse 0,5A 5x20****Part-Number: 34753**

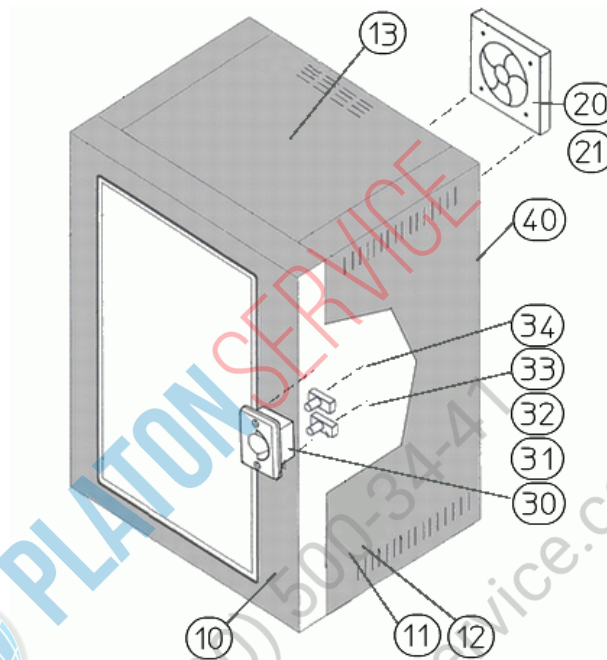
Service manual frame Euromat B8-EM 400V 50Hz

Version:

Ident:

Series:

Part-Number:



Chapter

- [010] - 28000 - side part B8-EM
- [011] - 31275 - front fitting
- [012] - 36219 - cover cap, plug
- [013] - 06117 - cover EM
- [020] - 33906 - axial blower 15W
- [021] - 33973 - axial fan cover
- [030] - 37937 - door latch; Attention replaced by 9040-120-003
- [030] - 9040-120-003 - bracket with inserted nuts PCL
- [031] - 30816 - door latch right; Attention replaced by E2500-402-010
- [032] - 30817 - door latch left; Attention replaced by E2500-402-011
- [033] - 36000 - micro switch
- [034] - 39061 - micro switch
- [040] - 25014 - supply line 32A with CEE-plug

Part: side part B8-EM**Part-Number: 28000**

Part: front fitting**Part-Number: 31275**

Part: cover cap, plug**Part-Number: 36219**

Plug for holes in the side wall.

**Part: cover EM****Part-Number: 06117**

Part: axial blower 15W**Part-Number: 33906**

The axial blower regulates the temperature in the installation room. Warm air is blown outside and cool air blown inside the room. Please note the arrow direction of the air flow when installing the axial flow fan.



Part: axial fan cover

Part-Number: 33973

To avoid injury the axial fan cover must be installed correctly.



Part: door latch; Attention replaced by 9040-120-003

Part-Number: 37937



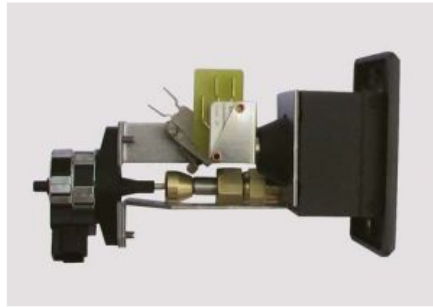
Part: bracket with inserted nuts PCL

Part-Number: 9040-120-003

Door latch for furnace without electrical locking mechanism/pro Clean. The Door latch is to be used both for right and for left door stop.

Part: door latch right; Attention replaced by E2500-402-010

Part-Number: 30816



Part: door latch left; Attention replaced by E2500-402-011

Part-Number: 30817



Part: micro switch

Part-Number: 36000

Micro fuse with gold contact. The micro fuse must be closed by locked door.



Part: micro switch

Part-Number: 39061

The micro fuse for door blocks with electrical door closures/Pro Clean switches the electrical door closure on for example the automatic self-cleaning program or door closure program is running.



Part: supply line 32A with CEE-plug

Part-Number: 25014



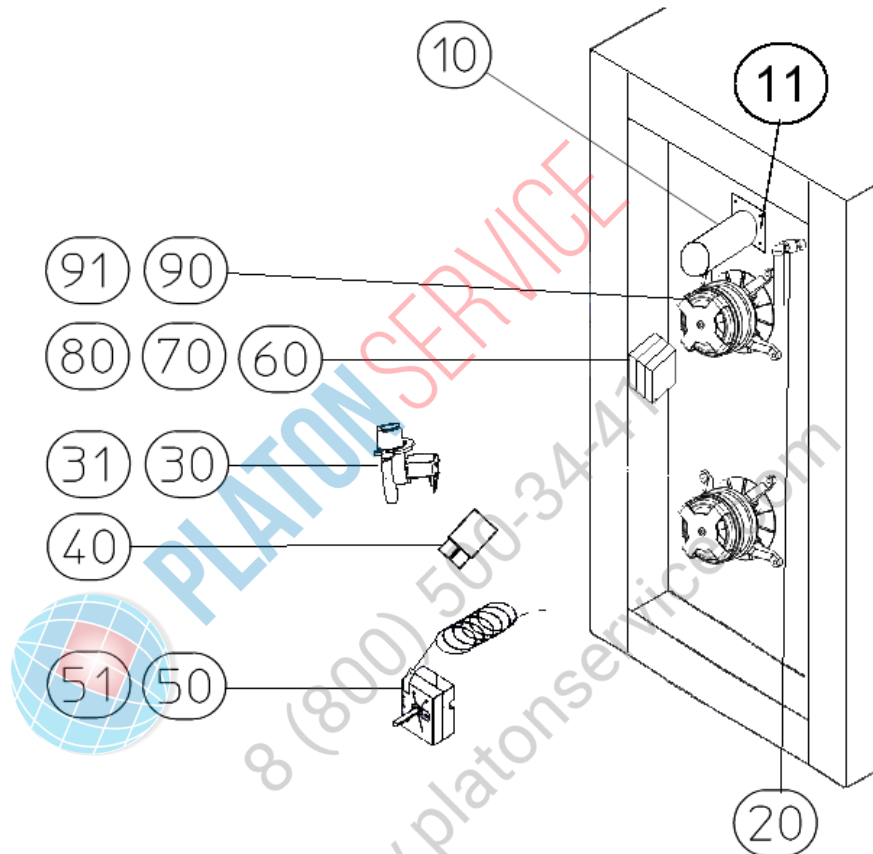
Service manual installation-room Euromat B8-EM 400V 50Hz

Version:

Ident:

Series:

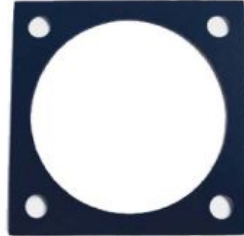
Part-Number:



Chapter

exhaust air Euromat B8-EM 400V 50Hz - V:
steaming Euromat B8-EM 400V 50Hz - V:

- [011] - 02649 - silicone seal
- [011] - 9085-100-002 - drain seal
- [030] - 36116 - solenoid valve
- [040] - 36126 - water flow detector flow meter FH20
- [050] - 100627 - safety limit switch (+340°C)
- [060] - 34108 - clamp grey 3L 2.5qmm
- [070] - 34109 - clamp 3L blue 280-684
- [080] - 34110 - clamp 3L 2.5qmm 280-687
- [090] - 103578 - fan motor; Attention replaced by 9020-110-002
- [091] - 34061H - motor
- [091] - 9020-110-002 - fan motor

Part: silicone seal**Part-Number: 02649****Part: drain seal****Part-Number: 9085-100-002****Part: solenoid valve****Part-Number: 36116**

It is necessary to clean the dirt sieve of the solenoid valve regularly. Particles in the water line will stick to the sieve and interrupt the water flow. Please note the maximum water pressure and other warnings from the data sheets regarding the water connection. The solenoid valve works with a flow pressure of 150 - 600 kPa. You can test the solenoid valve function in the PC - Tool - Test. Attention the test is a continued test and this function is not protected from overload.



Part: water flow detector flow meter FH20

Part-Number: 36126

The flow meter measures the water flow amount. When installing, pay attention to the polarity +/- of the impulse meter (Hall sensor).



Part: safety limit switch (+340°C)

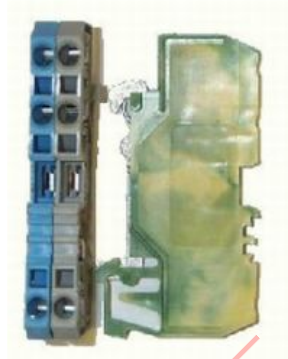
Part-Number: 100627

The safety temperature limit switch (STB) is activated at temperatures of -5°C (and lower) and $+329^{\circ}\text{C}$ (and higher). The oven will not operate when this is activated. The STB is part of the safety chain and can be manually re-set. Warning, when the STB is activated the cause must be resolved. Insulate the capillary tube (e.g. on the circuit board) on its critical spots with silicone hose Article number 40074.



Part: clamp grey 3L 2.5qmm

Part-Number: 34108



Part: clamp 3L blue 280-684

Part-Number: 34109



Part: clamp 3L 2.5qmm 280-687

Part-Number: 34110



Part: fan motor; Attention replaced by 9020-110-002

Part-Number: 103578



Part: motor

Part-Number: 34061H



Part: fan motor

Part-Number: 9020-110-002

For improved baking results the Hanning Motor has two rotating directions and several speeds. In ovens with the IS Control the speed is regulated by the Triac setter. In ovens with a manual control the contactor regulates the speed. The motor is secured with 4 M 6 nuts. The distance sleeves screws that are fixed by locknuts must always have the same height. Tighten the nuts diagonally to avoid tension. The motor has a built in thermo protection (bimetal) that activates at 160° C and automatically resets when cooled down. When the motor protection is activated the motor function is interrupted. Note that you should avoid speeds under 3 in the baking programs. If the fan wheel doesn't move easily or is unbalanced the motor spool may overheat. The thermo safety of the motor will activate and the complete operation will be interrupted. Check the fan wheel for imbalancing. Replace the fan. If a new motor is installed a new motor shaft seal (article number 34047) must be used. Also, the counternuts must be diagonally fastened to avoid tension. The motor has a built in thermo protection (bimetal) that activates at 160° C and automatically resets when cooled down.



Service manual

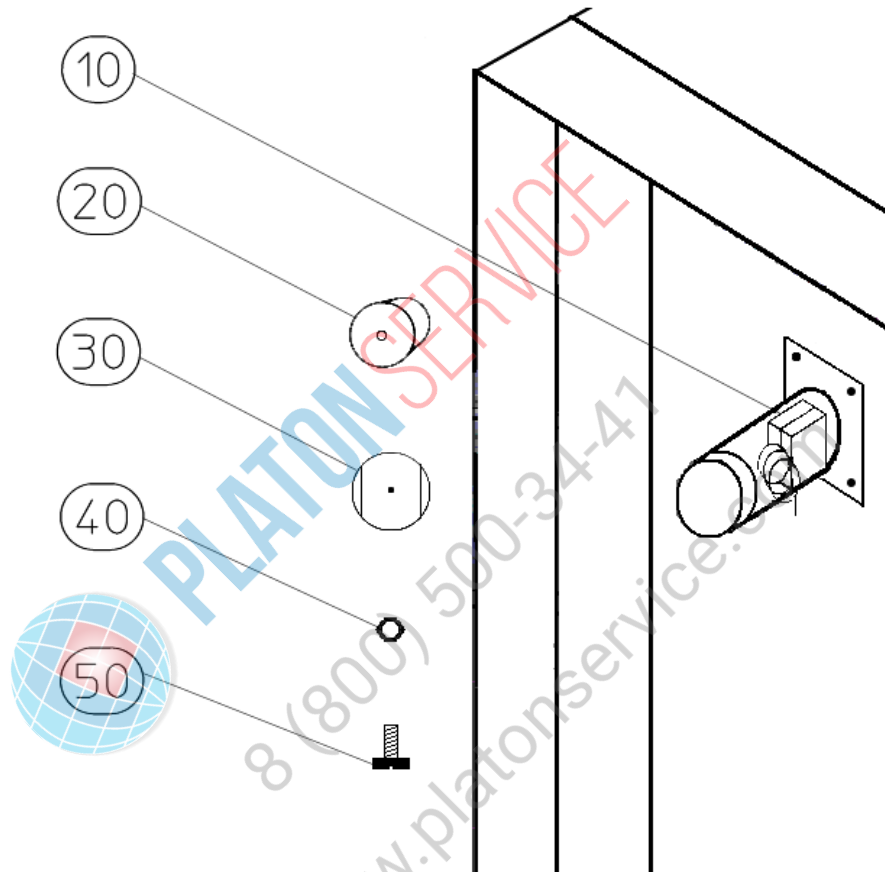
exhaust air Euromat B8-EM 400V 50Hz

Version:

Ident:

Series:

Part-Number:



Chapter

- [010] - 36030 - rotary solenoid
- [020] - 01080 - seal
- [030] - 00823 - exhaust flap
- [040] - 42010 - nut
- [050] - 42038 - cylinder head screw

Part: rotary solenoid

Part-Number: 36030

The high-pressure solenoid valve is controlled by the program and regulates the exhaust (open/closed). It must have the correct tension for optimal operation. The flap must open and close easily and the high-pressure solenoid valve must be centered.



Part: seal

Part-Number: 01080



Part: exhaust flap

Part-Number: 00823



Part: nut

Part-Number: 42010



Part: cylinder head screw

Part-Number: 42038



PLATON SERVICE

8 (800) 500-34-47

www.platonservice.com

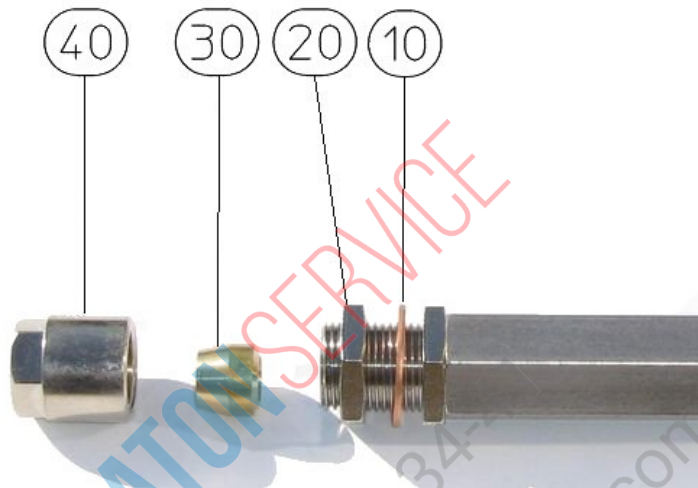
Service manual steaming Euromat B8-EM 400V 50Hz

Version:

Ident:

Series:

Part-Number:



Chapter

- 33560 - sealing ring copper
- 34581 - connecting nut
- 34582 - compression ring
- 34583 - counter nut



PLATON SERVICE
8 (800) 500-34-34
www.platonservice.com

Part: sealing ring copper**Part-Number: 33560****Part: connecting nut****Part-Number: 34581****Part: compression ring****Part-Number: 34582****Part: counter nut****Part-Number: 34583**

When tightening the counternut ensure that the already set steaming supports will not be disturbed.



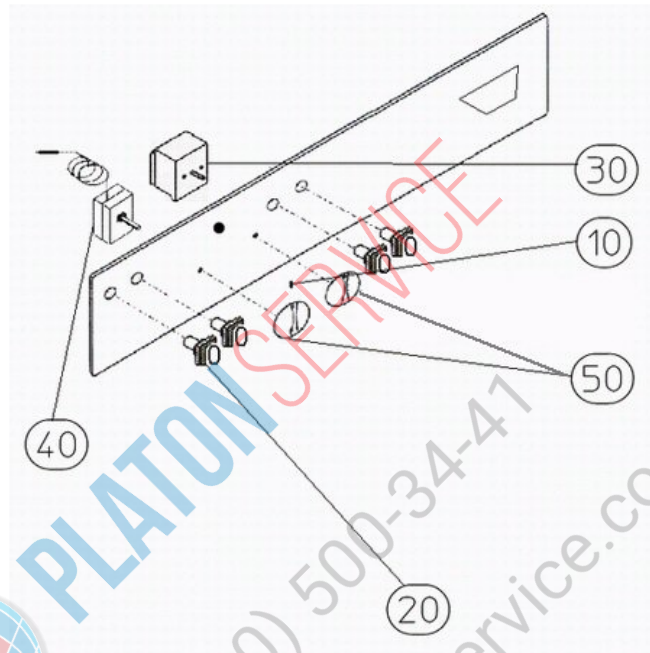
Service manual operating panel Euromat B8-EM 400V 50Hz

Version:

Ident:

Series:

Part-Number:



Chapter



- [010] - 33004 - control lamp yellow
- [020] - 103136 - key switch / notch switch
- [030] - 38696 - timer
- [040] - 37981 - capillary tube regulator
- [050] - 34862 - knob thermostat
- [070] - 103822 - operating panel EM-MAN (scale °C)
- [071] - 103602 - operating panel EM-MAN (scale °F)
- [072] - 103580 - operating panel EM-MAN (OEM version)

Part: control lamp yellow

Part-Number: 33004

The control lamp illuminates for as long as the heater heats. When the set temperature is reached the control lamp shuts off.



Part: key switch / notch switch

Part-Number: 103136



Part: timer

Part-Number: 38696

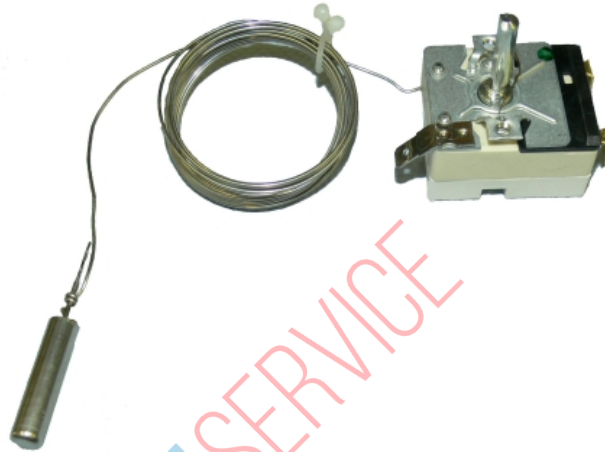
The timer switches the heater contact off. If a short time (1-20 mins) is set the timer is turned all the way to the end and then back to the required time.



Part: capillary tube regulator

Part-Number: 37981

The thermostat measures the oven temperature. The fluid in the capillary tube measures the temperature. Be sure not to kink the capillary tube when placing it the result will be a false reading or interruption. Insulate the capillary tube on critical spots (e.g. circuit board) with silicone hose article number 40074.



Part: knob thermostat

Part-Number: 34862

Please note when ordering: Thermostat dial and timer dial have different connectors and are not compatible



Part: operating panel EM-MAN (scale °C)

Part-Number: 103822

Operating panel with operating screen. Temperature scale °C.



Part: operating panel EM-MAN (scale °F)**Part-Number: 103602**

Operating panel with operating screen. Temperature scale in °F.

Part: operating panel EM-MAN (OEM version)**Part-Number: 103580**

Operating panel with operating screen. OEM Version Do-Sys



PLATON SERVICE
8 (800) 500-34-47
www.platonservice.com

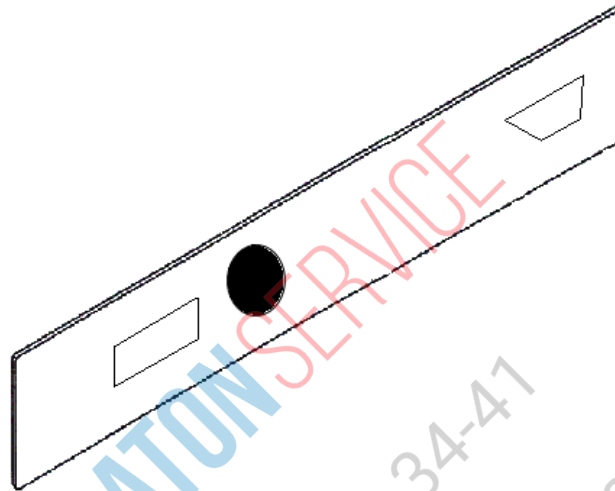
Service manual operating panel Euromat B8-EM 400V 50Hz

Version:

Ident:

Series:

Part-Number:



Chapter

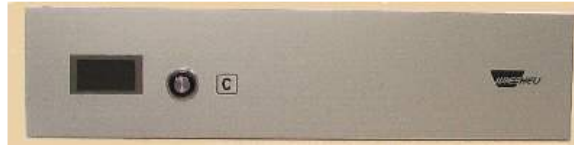
- 104288 - operating panel including IS500
- 104779 - operating panel EUROMAT-EM-IS (OEM version)
- 105029 - operating panel EUROMAT-EM-IS
- 105232 - operating panel including IS500 (OEM version)

PLATON SERVICE
8 (800) 500-34-47
www.platonservice.com

Part: operating panel including IS500

Part-Number: 104288

This article is fully prepared for servicing purposes. Read "Documents to article".



Part: operating panel EUROMAT-EM-IS (OEM version)

Part-Number: 104779

Operating panel with operating screen. OEM Version Do-Sys



Part: operating panel EUROMAT-EM-IS

Part-Number: 105029

Operating panel with operating screen. Standard edition. Color gray.

Part: operating panel including IS500 (OEM version)

Part-Number: 105232

Operating cover and operating screen and complete electronics. OEM-Version Do-Sys. This article is completely prepared for servicingn purposes. Read the "Documents to the Article".



Urheberrecht:

Das Urheberrecht an diesem Servicehandbuch verbleibt bei der WIESHEU GmbH. Dieses Servicehandbuch ist nur für autorisierte Servicepartner und dessen Personal bestimmt. Sie enthält Vorschriften und Hinweise, die weder vollständig noch teilweise vervielfältigt, verbreitet oder anderweitig mitgeteilt werden dürfen.

Alle Darstellungen, Zeichnungen, Bilder Texte und Angaben sind urheberrechtlich geschützt. Sie unterliegen den gewerblichen Schutzrechten.

Zu diesem Servicehandbuch:

Alle Abbildungen in diesem Dokument sollen die Verständlichkeit unterstützen. Die Abbildungen sind nicht maßstabsgerecht. Teilweise sind dem Originalprodukt ähnelnde Abbildungen dargestellt, die geringfügig abweichen können.

Achtung!

Vermeiden Sie Fehlfunktionen oder Beschädigungen durch falsche Ersatzteile. Wir empfehlen die ausschließliche Verwendung von WIESHEU-Original-Ersatzteilen.

Wiesheu GmbH
Daimlerstrasse 10
DE-71563 Affalterbach
Telefon: +49 (0)7144 / 3 03-0
Fax: +49 (0)7144 / 3 03-11
Service-Telefon: 0800-WIESHEU
E-Mail: info@wiesheu.de
www.wiesheu.de

Stand: 8/31/2012



PLATON SERVICE

8 (800) 500-34-41

www.platonservice.com